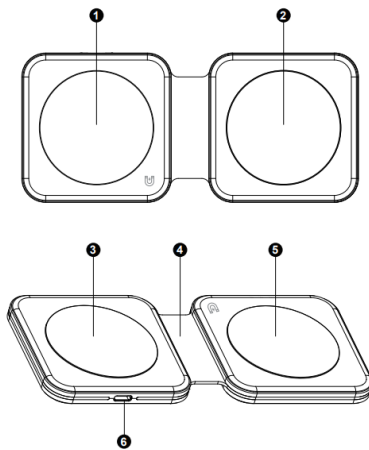


2-in-1 foldable magnetic wireless charger User Manual

Preface:

Dear customers, thank you for purchasing our products. In order to understand the product further. Please read this manual carefully before use. We wish you a pleasant experience!



- ❶ Magnetic charging area for Mobile phone
- ❷ Phone or earphone charging area
- ❸ Anti-slip silicone
- ❹ Foldable storage silicone design
- ❺ Anti-slip silicone
- ❻ USB-C interface

1. Magnetic charging area for Mobile phone
2. Phone or earphone charging area
3. Anti-slip silicone
4. Foldable storage silicon design
5. Anti-slip silicone
6. USB-C interface

Thank you for you choosing our product

Specifications

- 2 in 1 Folding Magnetic Wireless Charger
- Input: 9V 2.66A
- Phone output (Magnetic): 15W Max
- TWS output: 5W Max
- Input interface: USB-C

Compatible Devices

- iPhone 15 Pro Max/15 Pro/15 Plus/15/14

Pro Max/14 Pro/14 Plus/14/
13 Pro Max/13 Pro/13/13 mini/12 Pro
Max/12 Pro/12/12 mini (and other
magnetic phone wireless chargers)

- AirPods Pro 2nd Generation/AirPods 3/AirPods Pro/AirPods 2nd Generation (right) without magnetic suction
- Samsung Galaxy Z Fold5/Z Flip5/S23 FE/S23 Ultra/S23+/S23/S22 Ultra/S22+/S22/S21 FE/S21 Ultra/S21/S21+/S20 FE/S20/S20+/S20 Ultra/S10E/S10/S10+/S9/S9+/S8/S8+/S7/S7+/S7 Edge/S7 Active/S6/6 Edge+/S6 Active/Z Flip4/Z Flip3/Z Flip/Z Fold4/Z Fold3/Z Fold2/Note 20 Ultra/Note 20/Note10 (5G)/Note10+ (5G)/Note9/Note 8/Note7/Note 6/Note 5 (Folding screen)

(For the best charging experience, please use QC3.0/24W power adapter or a larger power adapter)

Using instructions

- Place the mobile phone with magnetic suction on the magnetic suction position for wireless fast charger.
- Connect the wireless charging headset to the headset charging slot for wireless charger.

How to solve abnormal charging:

- Please confirm whether your mobile phone has wireless charging function before use.

Check whether the phone deviates from the wireless inductive charging area of the charger.

Check whether a non-metallic protective case is used for charging mobile phones, and the thickness of the protective case is recommended not to exceed 4mm.

When metal objects touch the charging area, the charger will automatically identify and provide power off protection.

When the temperature of the charger is

too high, it will automatically start the protection. Please unplug the power supply first and use it after the charger recovers the temperature.

Q&A:

Q: Why is there heating in the charging of wireless charging inductive products?

A: During the charging process, there will be a certain loss of magnetoelectric conversion, which will be converted into heat, causing the mobile phone and charger to generate heat, which is a normal phenomenon.

Safety Notes

- Use indoor or under dry environment, avoid placing or using in the environment of high temperature, humidity, strong static electricity and strong magnetic field. For your safety, please do not use wet hand to plug and unplug electrical appliances.
- Avoid putting it in a place easily accessible to infants and children
- Do not use the product if it is contaminated with water or dirt.
- Non-professional personnel are not allowed to open and repair without authorization.

Suggestions:

- When the device is fully charged, disconnect it from charging time to avoid a long cycle of charging, which may lead to continuous heating of the device and charger.
- It is recommended to stop running the background software when charging the phone.
- If your iPhone is not charging, it may be a version issue. Please upgrade your phone to the latest system, or restart your phone to resolve the issue.

- If the device does not charge your watch, please check if your watch is up to date, if not, please upgrade to the latest system to solve the problem.
- Please charge after the temperature cools. Our chargers have temperature control to ensure your device is safe while charging.

